



# Technology Service

## 11+ YEARS OF TECHNOLOGY EXPERIENCE

We at 3DWORKS provide total engineering solutions and services, under one roof like, CAD/CAM, RPT, 3D Scanning, Reverse engineering, Simulation etc., Associated with worlds leading technology developers like Solid works, Hexagon, Fracktal works etc.

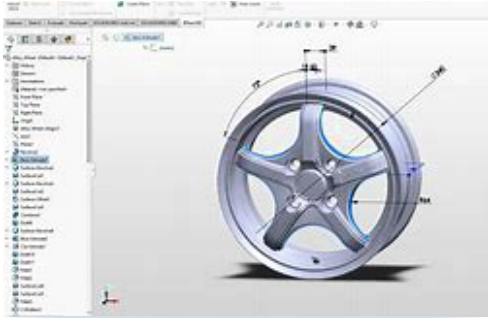
---

### Get in touch

#### 3DWORKS DESIGN SOLUTIONS

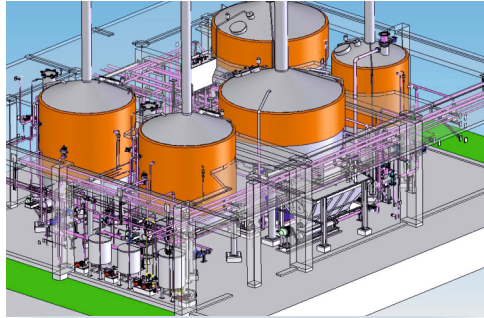
Head Office : SCF-26, Phase-2  
Urban Estate, Focal Point,  
Ludhiana Punjab 141 010

Sales : 84 2700 7400, [sales@3dwds.in](mailto:sales@3dwds.in)  
Support : 84 2700 7401, [support@3wds.in](mailto:support@3wds.in)  
Web. : [www.3dwds.in](http://www.3dwds.in)



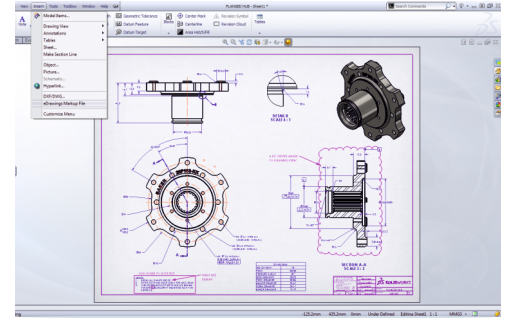
## PART MODELING

We can create a part from a conceptual sketch through solid feature-based modelling, as well as build and modify parts through direct and intuitive graphical manipulation.



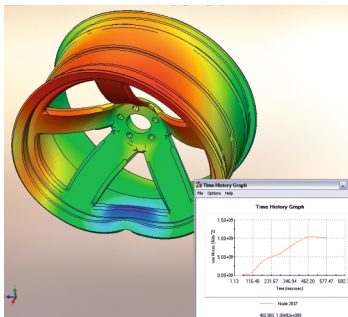
## ASSEMBLY MODELING

Assembly is the product of a complex design process. It can be contained either a hundred or thousand subparts. Assembly tasks also involve storing, handling, positioning, joining, adjusting, securing, inspection.



## DRAWING CREATION

Drawing is a plan or specification for the construction of an object or system or for the implementation of an activity or process, or the result of that plan or specification in the form of a prototype, product or process.

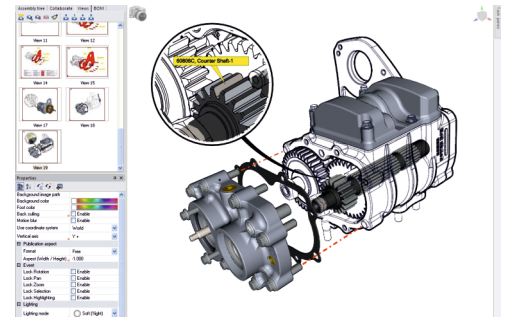


## SIMULATION

Simulation (Mechanical, Sheet metal, Plastic)-Simulation is a set of 3D engineering tools that enable product engineers, in all industries, to set up virtual real-world environments to test product behaviour for performance and quality during the development process.

## VISUALIZATION

Visualize is a suite of standalone software tools that combine industry-leading rendering capabilities with design-oriented features and workflows that enable easy and fast creation of visual content for designers, engineers, marketing, and other content creators.



## ANIMATION & VIDEOS

By using 3D engineering models for creating graphical content to explain processes and procedures in technical communications, such as manufacturing assembly instructions, product manuals, installation instructions, service manuals, training guides, marketing brochures, and sales bidding kits.



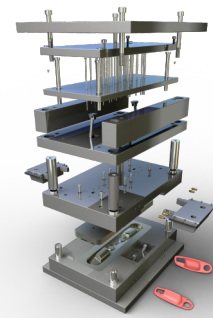
## 3D PRINTING/RPT

3D Printing is prototype print of CAD design. It is very convenient method to convert 3D Design in virtual model. It helps in saving time and cost in New Product development.



## 3D SCANNING

3D Scanning/3D Inspection/Reverse Engineering 3D scanning is the process of capturing digital information about the shape of an object with equipment that uses a laser or light to measure the distance between the scanner and the object after that you can alter data as required.



## MOLD/ TOOL DESIGN & DEVELOPMENT

We can help you to design any complex Mold & Tool. Basically Die design is an emerging field in which cost-effective methods are employed for the production of a diverse range of things.