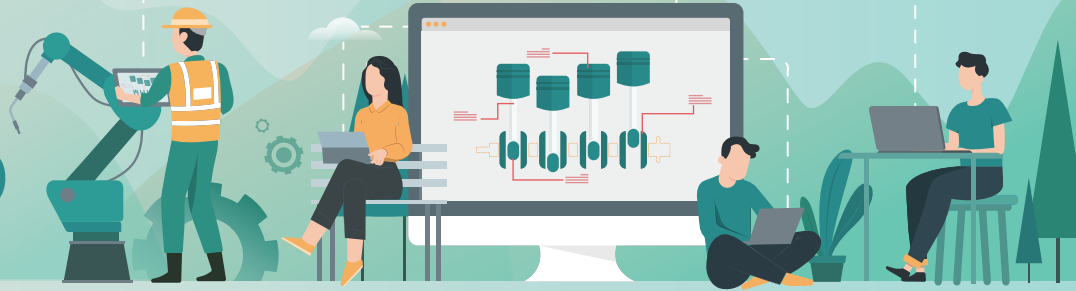




# CADbro



## Overview

CADbro is a 3D CAD viewer that helps with your collaboration. Packed with an intuitive interface and advanced tools to view, annotate and analyze, CADbro allows you to easily check, manage and share 3D models in the 3D space without expensive CAD systems. Additionally, with cloud service, you can enjoy efficient internal and external collaboration on engineering data with your team or upstream & downstream anytime and anywhere.

## Smart CAD Viewing

As over 25 kinds of file formats are supported in CADbro, you can easily access & exchange 2D and 3D CAD data without expensive CAD licenses.

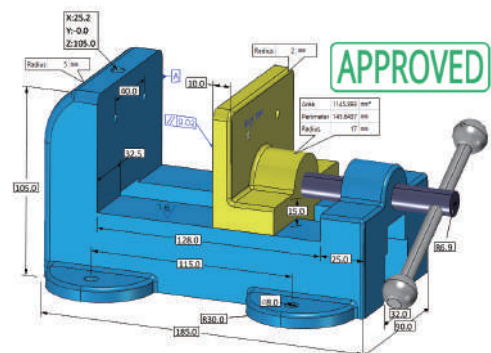
- Open third-party files directly
- Export multiple formats in batches
- Export lightweight formats like 3D PDF and HTML

Open		Save As	
Catia® V4/V5/V6	Parasolid®	Catia® V4/V5	Parasolid®
Catia® V5 Drawing	STEP	Z3D	STEP
NX®	IGES	DWG/DXF	IGES
Creo®/ProE®	ACIS	2D/3D PDF	ACIS
SolidWorks®	DWG/DXF	HTML	STL
SolidWorks® Drawing	STL		VDA
Solid Edge®	VDA		VRML/OBJ
Inventor®	VRML		
ZW3D®	CGR		
	3DXML		

## Vivid 3D Annotation

Easily add 3D annotations to share complex 3D product data.

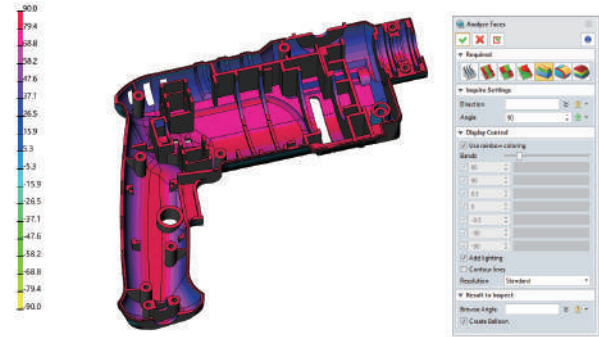
- Directly create dimensions, mechanical symbols, texts, etc.
- Smartly acquire different geometry information with one command



## Advanced Analysis

With diversified query & analysis tools in CADbro, you can verify the manufacturability of product structure and assembly, in early-stage product development, reducing cost and shortening time to market.

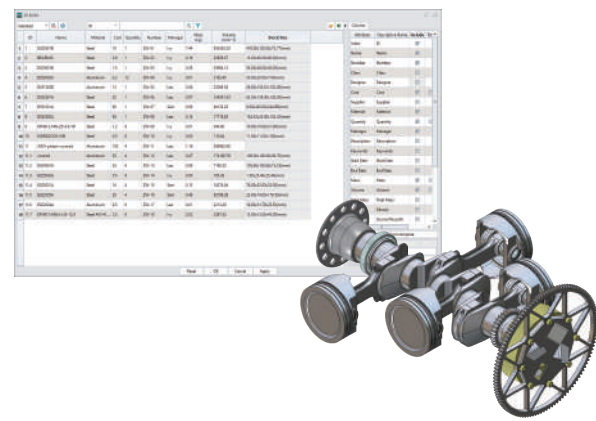
- Physical properties, such as volume, area, mass moments...
- Draft angles, wall thickness, part compare...
- Interference check, exploded view, dynamic section...



## Professional Documentation

CADbro can help you quickly create documents for production, such as 2D drawings and BOM table, delivering faster time to market.

- Easily create 2D drawings in different views with necessary information such as dimensions, annotations, symbols, etc.
- Directly generate BOM table and manage part attributes conveniently, such as calculating, searching and editing attributes, exporting excel files, etc.



## Convenient CADbro Cloud

With CADbro Cloud, you can manage and share 3D files, as well as collaborate with your team or upstream & downstream in real time.

- Easily view and manage 3D files anytime & anywhere on any device, and share 3D files via links
- Collaborate with project members in real time, such as hosting online meetings, sharing views, adding dimensions, etc. files, etc.



## Premium Features

Packed with other advanced functions, like Direct Edit and Healing, CADbro can help you refine product design apart from data collaboration.

### CADbro India

3DWorks Design Solutions  
SCO 26, Phase 2, Urban Estate, Focal Point,  
Ludhiana 141010 (Punjab)  
Sales: 8427007400  
Email: sales@3dwdns.in

### CADbro R&D Center (USA)

Add: 1672 West Hibiscus Blvd, Melbourne, FL  
32901, U.S.